

ValidiKey 2 Station

Part Number: CKS-V02-PLUS

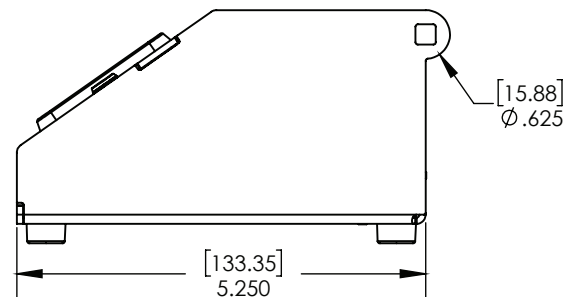
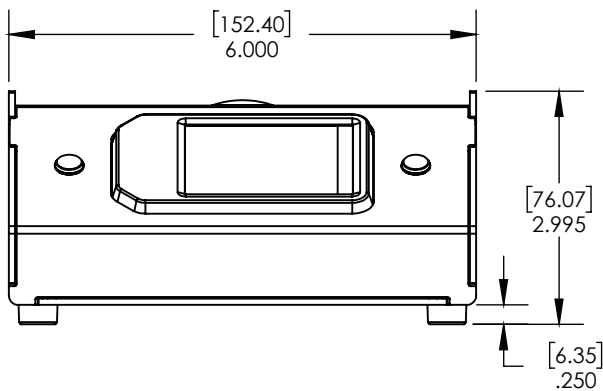


CAW	Version 8.0 or newer
Enterprise	<input checked="" type="checkbox"/>
Basic	<input checked="" type="checkbox"/>

The ValidiKey 2 Plus can program and charge both missioned and issued Cyberkeys.

Specifications

Enclosure	Black powder-coated aluminum case, desktop model
Operating Temperatures	32° to 122° F (0° to 50° C) non-condensing, indoor use only
Weight	2.24 lb (1.02 kg)
Communication	Ethernet via RJ45 and wireless radio for WLAN
Power	Input at 12V @ 1 amp, 110/220VAC, US power adapter provided, other country cords available
Display	LCD touch screen displays status and responds to input from button presses; users may enter PINs and other information in response to display prompts
Audio Output	Multi-tone beeper indicates startup, wrong key removed, invalid key inserted
Memory	2GB RAM and 6GB storage for settings, key configurations, and audit trail storage
Compatible RFID Cards	Reads the unique ID from unencrypted 13.56 MHz, ISO 14443 Type A & B and ISO 15693 format cards (i.e. I-Code, Mifare, Legic)



Notes:
 Dimensions in inches (mm)
 Drawing not to scale
 Ø indicates diameter